

# Specification sheet

## XD 230

FA 4X2 Rigid, 19t



### ENGINES

XD NewGen 230 PX-7 (167 kW / 227 hp)
XD NewGen 260 PX-7 (189 kW / 257 hp)
XD NewGen 290 PX-7 (212 kW / 287 hp)
XD NewGen 310 PX-7 (227 kW / 308 hp)

### GVM<sup>1)</sup>

19000 kg
Max. front 8000 kg
Max. rear 13000 kg

### GCM<sup>2)</sup>

19000 kg

## CAB EXTERIOR

Luxurious Day Cab with unrivalled aerodynamics for fuel efficient driving and low CO2 emissions. The huge and deep frontscreen, curved at the sides combined with large side windows offer an unsurpassed direct view for the driver, to enhance road safety. Cab length: 2030 mm; cab width: 2500 mm. Number of cab entrance steps: 2.; Cab suspension mechanical; LED head lights; DAF Corner View.

### Optional

<b>07018</b> Sleeper Cab	<b>01925</b> Two LED work lamps for cab rear wall
<b>06244</b> Sleeper High Cab	<b>01891</b> Hazard beacons on cab front, prepared
<b>01226</b> Cab suspension air	<b>06629</b> Two hazard beacon lights
<b>03358</b> External sun visor	<b>03232</b> Front windscreen with solar control foil
<b>03922</b> Fog lights front	<b>03317</b> Rear window: double glass
<b>00936</b> Auxiliary LED lights on cab roof, prepared	<b>07343</b> Kerb view window co-driver door
<b>01836</b> LED Skylights	<b>01362</b> DAF Digital Vision System
<b>00949</b> LED Skylights; aux. LED lights on cab rf, prepared	

## AERODYNAMICS

### Optional

<b>00008</b> Adj. roof air deflector short Sleeper High Cab	<b>00082</b> Adj. roof air deflector for Day Cab
<b>00124</b> Adj. rf air defl.long mid >4m(!) Sleeper High Cab	<b>00097</b> Adj. roof air deflector for Sleeper Cab
<b>01538</b> Adj. roof air defl. long high >4m(!) Sleeper High	<b>00020</b> Adj. roof air deflector long low Sleeper High Cab
<b>02662</b> Adj. roof air defl. long mid XD Sleeper High Cab	

## COLOURS

Cab colour E1980 Crystal White; Chassis colour grey.; Colour of bumper: Crystal White.

## CAB INTERIOR

Cab interior trim colour: Luxury; Dashboard finish: Vision; Cab interior decoration: Hexagon; Driver seat: Comfort Air; Co-driver seat: cinema with fabric cover; No dashboard table; Storage compartment in centre; Automatic Temperature Control and airco; No auxiliary cab heater.

### Optional

<b>02354</b> Steering wheel with silver accents	<b>02117</b> Third seat
<b>02355</b> Steering wheel, leather	<b>02837</b> Dashboard table
<b>02353</b> Cab interior decoration: Argenta	<b>03948</b> Single drawer
<b>02350</b> Cab interior decoration: Natura	<b>03954</b> Refrigerator
<b>07733</b> Driver seat: Luxury Air	<b>02838</b> Foam mattress for lower bunk
<b>07736</b> Driver seat: Super Air	<b>02854</b> Xtra Comfort mattress for lower bunk
<b>07737</b> Driver seat: Xtra Leather Air	<b>01775</b> Xtra Comfort mattress with topper for lower bunk
<b>01740</b> Arm rest at both sides of the driver seat	<b>06970</b> Automatic Cab Climate Control

## COMMUNICATION AND DRIVING MANAGEMENT

PACCAR Connect; Tachograph digital, Stoneridge 1C version G2V2; Speed limiter setting 85 km/h; DAF Infotainment Luxury with Luxury speakers; Adaptive Cruise Control with FCW and AEBS-3; Driver Performance Assistant.

### Optional

<b>09681</b> Preparation for Maut	<b>00272</b> DAF infot. Exclusive prepared; Exclusive speakers
<b>01171</b> DAF Infotainment System: DAB radio with speakers	<b>01923</b> DAF Infotainment Luxury Plus; Exclusive speakers
<b>01156</b> DAF Infotainment System: DAB radio+Luxury speakers	<b>06211</b> DAF Infotainment System with FM/DAB/DAB+ radio
<b>00146</b> DAF Infot. Exclusive prepared; Luxury speakers	<b>03470</b> DAF Infotainment System: Exclusive, prepared
<b>01916</b> DAF Infotainment Luxury Plus with Luxury speakers	<b>01915</b> DAF Infotainment System: Luxury Plus
<b>01158</b> DAF Infotainment Luxury with Exclusive speakers	

## SAFETY AND SECURITY

Speed limit recognition; DAF drowsiness detection; Lane Departure Warning System; Vehicle Stability Control (VSC); Basic engine immobiliser system; No EC-ADR packages; Drive-off Assist; DAF Side & Turn Assist.

### Optional

<b>08631</b> Air bag (driver) and 2 seat belt tensioners	<b>01929</b> No Drive-off Assist
<b>02567</b> No Traffic Sign Assist	<b>01952</b> No DAF Side/Turn Assist
<b>02569</b> No Driver State Monitoring	

## SUSPENSION AND AXLES

Front: 8.00 t, parabolic, 163N; Rear axle load 13.00 t; Rear: air suspension, SR1344; No lifting device.

### Optional

<b>04647</b> Front springs air
--------------------------------

## WHEELS AND TYRES

Driven rear axle(s): 315/70R22.5; Tyre pressure monitoring; F1,315/70R22.5GO FMXSE 156/150 L Steering BBA 3P; R1,315/70R22.5GO FMXDE 154/150 L Traction BBA 3P.

### Optional

<b>16152</b> Tyre makes and types
-----------------------------------

## DRIVELINE

Engine PX-7, 6 cylinder diesel engine, 6.7 litres. Output 167 kW (227 hp) at 1900 rpm. Max. torque 890 Nm at 1000-1700 rpm.; Exhaust emission Euro 6; 8-speed PowerLine 8AP1000 overdrive, 4.89-0.64; Gearbox ratio 4.89-0.64; Rear axle ratio 5.57.

## BRAKE SYSTEM

Exhaust brake; Ventilated disc brakes front and rear. Dual circuit air system with electronic control (EBS).Engine driven, water cooled aire compressor with automatic air heated dryer.

### Optional

<b>02861</b> PX Engine Brake	<b>04901</b> Spring brake cylinders on the first front axle
<b>01497</b> Park brake control pneumatic with spoken warning	

## CHASSIS

Wheelbase 4.00 m / rear overhang 1.70 m; Side member height 260 mm; Standard component location; 340 l alu fuel tank LH, height 620 mm; Tank for AdBlue® 30 l, right-hand side chassis; Spray suppression.

### Optional

- 02601** Side member height 310 mm  
**07071** Spare wheel carrier right-hand side  
**16157** Fuel tanks, material and sizes  
**03323** Rear light with LEDs

## DRAWBAR AND TRAILER EQUIPMENT

Closing member D-value = 0kN.

### Optional

- 08026** Trailer coupling Rockinger D=13.0  
**04659** Trailer cable EBS

## BODIES AND PREPARATIONS FOR BODYING

Application connector chassis.

### Optional

- 09421** Additional spare wiring  
**08121** Tail lift application

## POWER TAKE-OFF (PTO)

### Optional

- 16148** PTO types and positions

## 24V POWER SUPPLY

Alternator 80 A, batteries 2x 140 Ah..

### Optional

- 01897** Alternator 100 A  
**08797** Batteries 2x175Ah  
**07671** Batteries 2x210Ah AGM C-type

## GVM AND GCM

Chassis weight related technical GVM max 19000 kg; Driveline related max GCM 19000 kg.

## APPLICATION CONDITIONS

Air intake front.

### Optional

- 02260** Extra cab insulation  
**03648** Cyclonic air intake high

## SERVICE AND MAINTENANCE

Standard Warranty takes care of 1 year complete vehicle as supplied by the OEM (excl. real wear parts), 2nd year driveline and 1st year breakdown.; ITS service.

## VEHICLE DELIVERY

Minimum toolkit.

### Optional

- 07569** Lifting jack

## OPTION PACKAGES

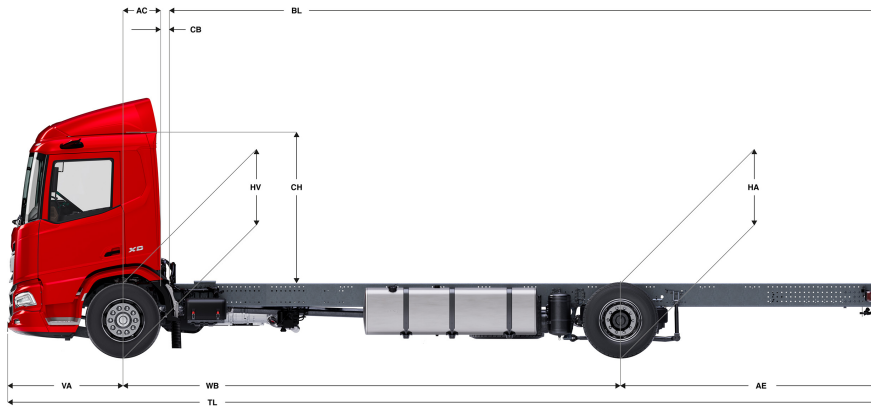
### Optional

- 17595** Executive Pack XD/XF

Go to [DAF.com](https://www.daf.com) to configure your own perfect DAF.

# XD 230

FA 4X2 Rigid, 19t



	Wheelbase - AE		Unladen weight <sup>1)</sup>			Gross Carrying Capacity			Variable dimensions									
	WB	AE <sup>5)</sup>	Front	Rear	Total	Front	Rear	Total	AC	CB <sup>6)</sup>	CH <sup>7)</sup>	BL <sup>8)</sup>	BL	TL	HA <sup>9)</sup>	HA <sup>10)</sup>	TK <sup>11)</sup>	TW <sup>12)</sup>
DAY CAB	4,00	1,70	3690	1543	5233	4310	11457	13767	0,50	0,07	2,06	4,36	5,52	7,23	0,97	0,94	14,02	15,41
	4,20	1,80	3691	1557	5248	4309	11443	13752	0,50	0,07	2,06	4,63	5,85	7,53	0,97	0,94	14,53	15,94
	4,50	1,95	3693	1595	5288	4307	11405	13712	0,50	0,07	2,06	5,04	6,34	7,98	0,97	0,94	15,31	16,73
	4,70	2,05	3694	1608	5302	4306	11392	13698	0,50	0,07	2,06	5,31	6,67	8,28	0,97	0,94	15,83	17,26
	4,90	2,35	3690	1636	5326	4310	11364	13674	0,50	0,07	2,06	5,58	6,99	8,78	0,97	0,94	16,35	17,79
	5,10	2,75	3745	1776	5521	4255	11224	13479	0,50	0,07	2,06	5,84	7,35	9,38	0,97	0,94	16,87	18,32
	5,40	2,65	3769	1783	5552	4231	11217	13448	0,50	0,07	2,06	6,27	7,86	9,58	0,97	0,94	17,66	19,11
	5,70	2,65	3782	1795	5577	4218	11205	13423	0,50	0,07	2,06	6,68	8,36	9,88	0,97	0,94	18,44	19,90
	6,10	2,80	3820	1858	5678	4180	11142	13322	0,50	0,07	2,06	7,24	9,06	10,43	0,97	0,94	19,49	20,96
6,60	3,45	3755	1837	5592	4245	11163	13408	0,50	0,07	2,01	7,90	9,83	11,58	1,02	0,99	20,80	22,28	
6,90	3,50	3764	1848	5611	4236	11152	13389	0,50	0,07	2,01	8,30	10,35	11,93	1,02	0,99	21,59	23,08	
SLEEPER CAB	4,00	1,70	3788	1550	5338	4212	11450	13662	0,83	0,07	2,06	3,74	4,90	7,23	0,97	0,94	14,02	15,41
	4,20	1,80	3789	1564	5352	4211	11436	13648	0,83	0,07	2,06	4,01	5,24	7,53	0,97	0,94	14,53	15,94
	4,50	1,95	3792	1601	5393	4208	11399	13607	0,83	0,07	2,06	4,42	5,73	7,98	0,97	0,94	15,31	16,73
	4,70	2,05	3793	1614	5407	4207	11386	13593	0,83	0,07	2,06	4,70	6,07	8,28	0,97	0,94	15,83	17,26
	4,90	2,35	3789	1642	5430	4211	11358	13570	0,83	0,07	2,06	4,97	6,39	8,78	0,97	0,94	16,35	17,79
	5,10	2,75	3845	1781	5626	4155	11219	13374	0,83	0,07	2,06	5,23	6,75	9,38	0,97	0,94	16,87	18,32
	5,40	2,65	3869	1788	5657	4131	11212	13343	0,83	0,07	2,06	5,67	7,27	9,58	0,97	0,94	17,66	19,11
	5,70	2,65	3882	1799	5681	4118	11201	13319	0,83	0,07	2,06	6,09	7,79	9,88	0,97	0,94	18,44	19,90
	6,10	2,80	3920	1862	5782	4080	11138	13218	0,83	0,07	2,06	6,65	8,47	10,43	0,97	0,94	19,49	20,96
6,60	3,45	3856	1841	5697	4144	11159	13303	0,83	0,07	2,01	7,29	9,27	11,58	1,02	0,99	20,80	22,28	
6,90	3,50	3864	1852	5716	4136	11148	13284	0,83	0,07	2,01	7,72	9,78	11,93	1,02	0,99	21,59	23,08	
SLEEPER HIGH CAB	4,00	1,70	3817	1551	5368	4183	11449	13632	0,83	0,07	2,54	3,75	4,91	7,23	0,97	0,94	14,02	15,41
	4,20	1,80	3818	1564	5382	4182	11436	13618	0,83	0,07	2,54	4,02	5,25	7,53	0,97	0,94	14,53	15,94
	4,50	1,95	3821	1602	5423	4179	11398	13577	0,83	0,07	2,54	4,43	5,76	7,98	0,97	0,94	15,31	16,73
	4,70	2,05	3823	1614	5437	4177	11386	13563	0,83	0,07	2,54	4,71	6,09	8,28	0,97	0,94	15,83	17,26
	4,90	2,35	3818	1642	5460	4182	11358	13540	0,83	0,07	2,54	4,98	6,42	8,78	0,97	0,94	16,35	17,79
	5,10	2,75	3874	1782	5656	4126	11218	13344	0,83	0,07	2,54	5,26	6,76	9,38	0,97	0,94	16,87	18,32
	5,40	2,65	3898	1788	5687	4102	11212	13313	0,83	0,07	2,54	5,68	7,29	9,58	0,97	0,94	17,66	19,11
	5,70	2,65	3911	1800	5711	4089	11200	13289	0,83	0,07	2,54	6,10	7,80	9,88	0,97	0,94	18,44	19,90
	6,10	2,80	3950	1863	5813	4050	11137	13187	0,83	0,07	2,54	6,66	8,49	10,43	0,97	0,94	19,49	20,96
6,60	3,45	3885	1841	5727	4115	11159	13273	0,83	0,07	2,49	7,31	9,29	11,58	1,02	0,99	20,80	22,28	
6,90	3,50	3894	1852	5746	4106	11148	13254	0,83	0,07	2,49	7,74	9,79	11,93	1,02	0,99	21,59	23,08	

OTHER DIMENSIONS VA: 1,53 HV<sup>13)</sup>: 1,00 HV<sup>14)</sup>: 0,93 RB: 0,79 SB: 1,82 TB<sup>15)</sup>: 2,48

- GVM in conformity with registration documents.
- GCM in conformity with registration documents.
- Axle load with standard tyre size.
- Chassis and cab weight calculated with: Standard specification items only with 0 litres of fuel, 0 litres of AdBlue® and driver of 0 kg, tolerance ± 3%. Changing of the specification can have major impact on vehicle weight.
- Other AE dimensions may be available for shown WB. Modify rear overhang to the calculated body length.
- CB is based on standard air intake and/or exhaust.
- Cab height is measured from frame member to closed cabin roof hatch.
- Calculate customer specific body length with TOPEC. Body lengths shown based on evenly distributed load at max axle load.
- Unladen height at centre of driven axle(s).
- Laden height at centre of driven axle(s).
- TK = turning circle between kerbs.
- TW = turning circle between walls.
- Unladen height at centre of front axle(s).
- Laden height at centre of front axle(s).
- TB is overall width at rear. (At centre of front axle 255).

Depending on the vehicle configuration a specific option may not be possible. The availability and specification of this vehicle may differ per country. For further information please contact the DAF organisation. Pictures and technical illustrations are not binding in detail and can differ from the standard specification. Subject to modification without prior notice.